

# SMART TRANSMITTER/GAS DETECTOR

Flameproof enclosure Exd II CT5

MADE IN JAPAN

MODEL **SD-1**



Group IIC Acetylene, Hydrogen

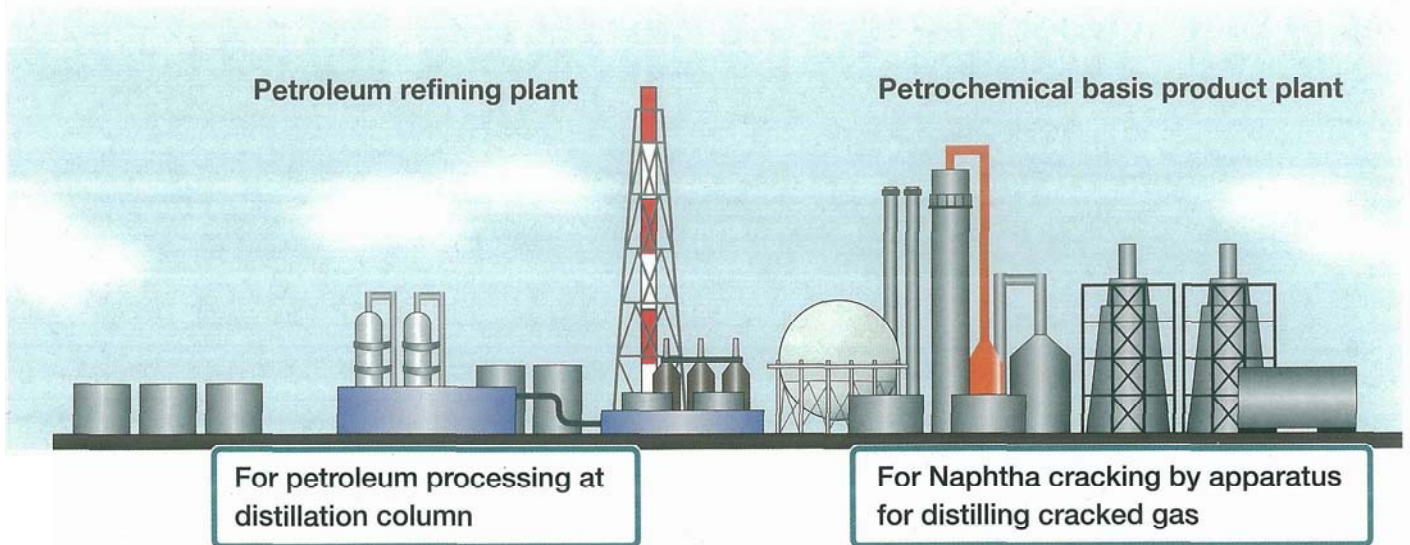


## Features

- ◆ Explosion proof housing for Hydrogen
- ◆ 7 segments LED (4 digits)
- ◆ Signal converter
- ◆ Self diagnosis by microprocessor
- ◆ Electrical power saving (Maximum : 3W)

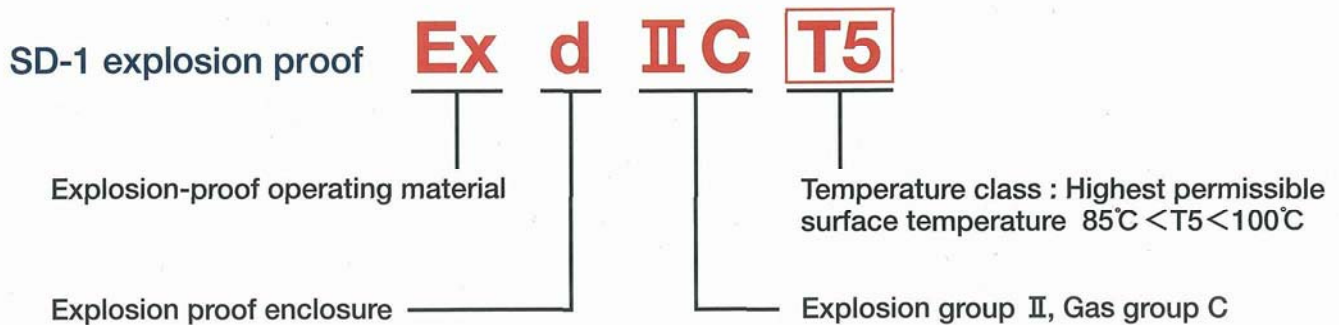
## ▷ SD-1 service space

Measuring gas : Combustible gas in the presence of Hydrogen/Acetylene

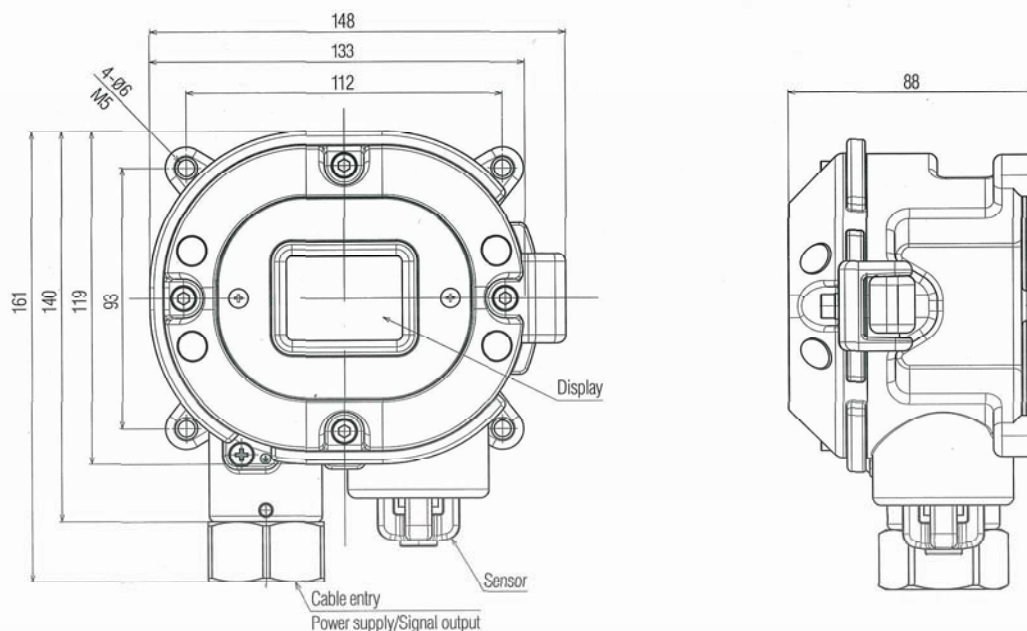


## ▷ SD-1 was certificated explosion proof of Hydrogen/Acetylene

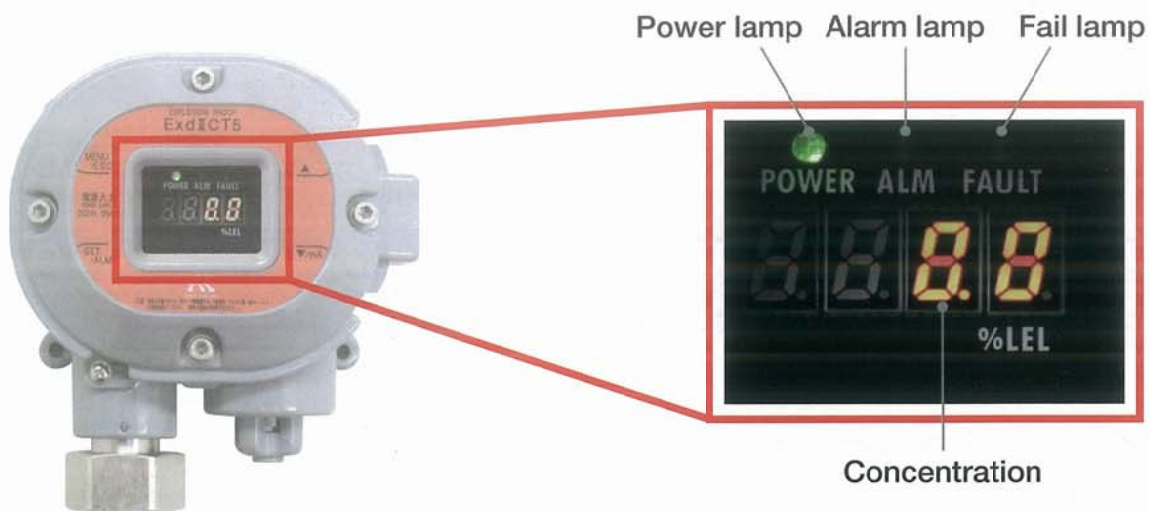
SD-1 can be installed at the situation that need explosion proof of Hydrogen/Acetylene.



## ▷ Outer Dimensions



## ▷ DISPLAY



## ▷ SPECIFICATION

|                                      |   |
|--------------------------------------|---|
| Detection principle                  | Catalytic combustion  |
| Measuring gas                        | Combustible gases (CH <sub>4</sub> , i-C <sub>4</sub> H <sub>10</sub> or general combustible gas)<br>(Please specify the gas when ordering) |
| Measuring range (Increments)         | 0-100%LEL (0.1%LEL/digit)   |
| Preset alarms                        | Quarter of F.S. (Standard)  |
| Display                              | 7-seg digital LED with backlight  |
| Sampling method                      | Diffusion sampling  |
| Alarm delay time                     | Approx 30 seconds when exposed to gas concentration of 1.6 times alarm level  |
| Operating temperature & humidity     | -20~+53°C, below 95%RH, non-condensing  |
| Output                               | Gas concentration : 4-20mA (300Ω)   |
| Alarm contacts                       | Gas alarm (Standard) or Trouble alarm (Option) : Normally open<br>Contact rating : 30VDC 0.5A or 250VAC 0.5A (Resist rating)                |
| Power source                         | 24VDC (17VDC -26.4VDC)  |
| Explosion proof                      | Exd II CT5  |
| Self diagnosis function              | System failure, communication error, short, EEPROM error  |
|                                      | LED lamp (Yellow)   |
| Applicable cable                     | CVVS 3-core (Power supply + 4-20 mA)  |
| Signal transmission distance & cable | MAX 1.25km with CVVS 1.25sq cable, MAX 2.0km with CVVS 2.0sq cable  |
| Consumed power                       | Approx 3 W (MAX)  |
| Dimension & Weight                   | 148 (W)×161 (H)×88 (D) mm, Approx. 2.0kg  |

## ▷ Standard accessories

- ◆ Control lever
- ◆ Control key

▷ Connection with indicator/alarm unit  
(Connection with RM-590 series)

▷ Connection with Alarm monitoring system

RM-590 series

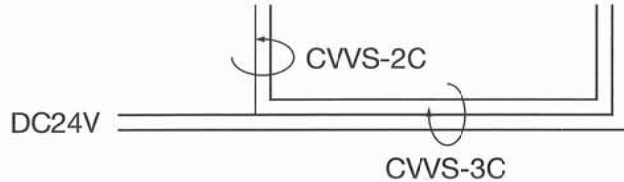
SD-1

Alarm monitoring system

SD-1



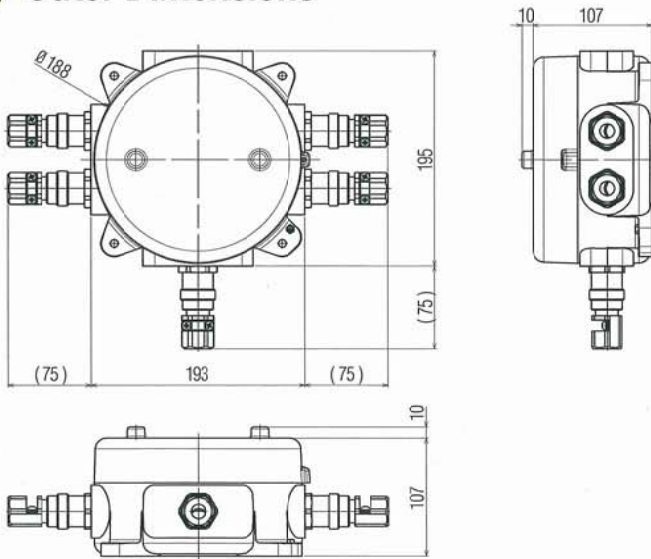
CWVS 1.25sq, 3-core Max 1.25km  
or  
CWVS 2.0sq, 3-core Max 2.0km



▷ Translator (Optional)

◆ Outer Dimensions

◆ SPECIFICATION



|                 |                         |
|-----------------|-------------------------|
| MODEL           | JB-2                    |
| EXPLOSION PROOF | ExdICT4                 |
| IP class        | IP-65                   |
| Power source    | AC100~240V ±10% 50/60Hz |
| Consumed power  | MAX 17VA                |
| Cable           | 10~12φ                  |
| Dimension       | 193(W)×195(H)×107(D)    |

**RIKEN KEIKI Co.,Ltd.**

2-7-6 Azusawa, Itabashi-ku, Tokyo 174-8744, Japan  
 Phone : +81-3-3966-1113  
 Telefax : +81-3-3558-9110  
 E-mail : intdept@rikenkeiki.co.jp  
 Web site : http://www.rikenkeiki.co.jp

★ Distributed by: